

**Czerweny**<sup>®</sup>  
SOMOS POTENCIA



LÍNEA

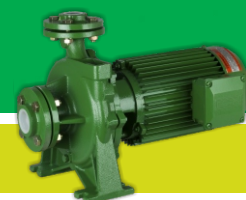
**EBN**

## MONOBLOCK HORIZONTALES

### BOMBAS CENTRIFUGAS TRIFÁSICAS PARA AGUA LIMPIA

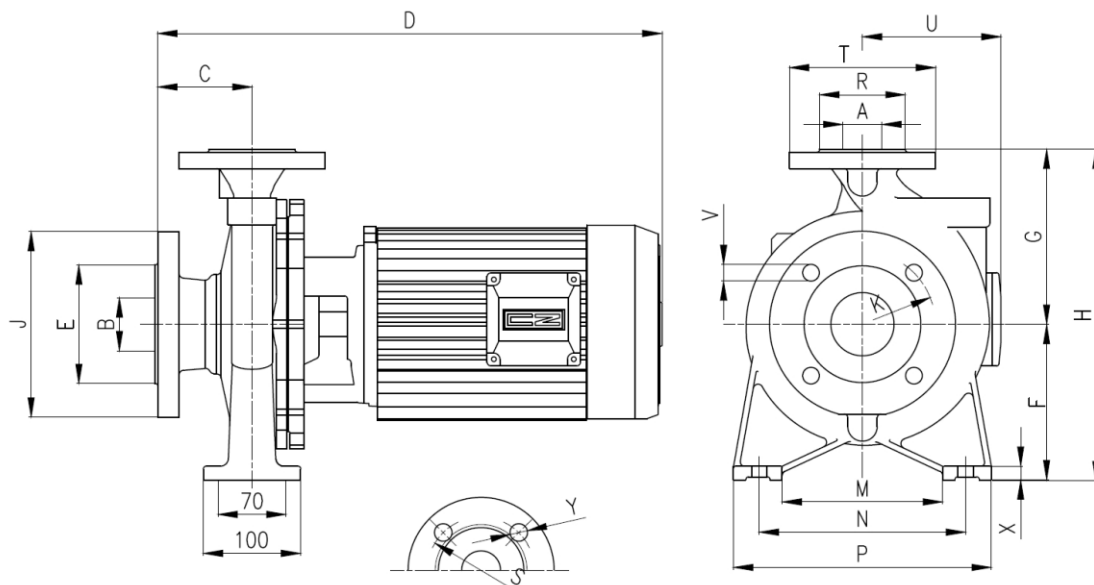
- › Extremadamente confiables, robustas y silenciosas
- › Fácil instalación con contrabridas normalizadas roscadas
- › Aptas para bombeo de líquidos entre -10°C y 80°C
- › Aplicación en instalaciones industriales, torres de refrigeración, irrigación, presurización, elevación de agua en edificios de viviendas y equipos contra incendio
- › Construcción bajo norma ISO 2258 - IRAM 19006
- › Contrabridas bajo norma ISO 2084 - DIN 2566
- › Cuerpo de fundición gris y eje de acero inoxidable AISI 304
- › Impulsores de noryl y bronce
- › Motor trifásico IP54, clase F
- › Sello mecánico de cerámica y grafito

**Czerweny**<sup>®</sup>

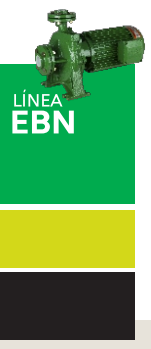


# BOMBAS CENTRIFUGAS TRIFÁSICAS PARA AGUA LIMPIA

## CARACTERÍSTICAS Y MEDIDAS PRINCIPALES



| TIPO        | MOTOR   | HP   | CONTRABRIDA |        | MEDIDAS (mm) |    |     |     |     |     |     |     |     |     |     |     |     |     |     |     |     | Peso Kg |    |    |      |
|-------------|---------|------|-------------|--------|--------------|----|-----|-----|-----|-----|-----|-----|-----|-----|-----|-----|-----|-----|-----|-----|-----|---------|----|----|------|
|             |         |      | ASP.        | IMP.   | A            | B  | C   | D   | E   | F   | G   | H   | J   | K   | M   | N   | P   | R   | S   | T   | U   |         | V  | X  | Y    |
| 32-25-200-1 | A90L2B  | 3.5  | 1 1/4"      | 1"     | 25           | 32 | 82  | 420 | 68  | 142 | 162 | 304 | 120 | 90  | 140 | 190 | 240 | 60  | 75  | 110 | 138 | 14      | 10 | 12 | 29.5 |
| 32-25-200-2 | A90L2B  | 3.5  | 1 1/4"      | 1"     | 25           | 32 | 82  | 420 | 68  | 142 | 162 | 304 | 120 | 90  | 140 | 190 | 240 | 60  | 75  | 110 | 138 | 14      | 10 | 12 | 29.5 |
| 32-25-200-3 | A90L2B  | 3.5  | 1 1/4"      | 1"     | 25           | 32 | 82  | 420 | 68  | 142 | 162 | 304 | 120 | 90  | 140 | 190 | 240 | 60  | 75  | 110 | 138 | 14      | 10 | 12 | 29.5 |
| 32-25-200-4 | A802B   | 1.5  | 1 1/4"      | 1"     | 25           | 32 | 82  | 383 | 68  | 142 | 162 | 304 | 120 | 90  | 140 | 190 | 240 | 60  | 75  | 110 | 130 | 14      | 10 | 12 | 23   |
| 32-25-200-5 | A802B   | 1.5  | 1 1/4"      | 1"     | 25           | 32 | 82  | 383 | 68  | 142 | 162 | 304 | 120 | 90  | 140 | 190 | 240 | 60  | 75  | 110 | 130 | 14      | 10 | 12 | 23   |
| 50-32-125-1 | A802B   | 1.5  | 2"          | 1 1/4" | 32           | 50 | 82  | 381 | 106 | 112 | 140 | 252 | 165 | 125 | 90  | 140 | 190 | 78  | 100 | 134 | 130 | 18      | 10 | 18 | 23   |
| 50-32-125-2 | A802B   | 1.5  | 2"          | 1 1/4" | 32           | 50 | 82  | 381 | 106 | 112 | 140 | 252 | 165 | 125 | 90  | 140 | 190 | 78  | 100 | 134 | 130 | 18      | 10 | 18 | 23   |
| 50-32-125-3 | A802A   | 1    | 2"          | 1 1/4" | 32           | 50 | 82  | 381 | 106 | 112 | 140 | 252 | 165 | 125 | 90  | 140 | 190 | 78  | 100 | 134 | 130 | 18      | 10 | 18 | 22.5 |
| 50-32-125-4 | A802A   | 1    | 2"          | 1 1/4" | 32           | 50 | 82  | 381 | 106 | 112 | 140 | 252 | 165 | 125 | 90  | 140 | 190 | 78  | 100 | 134 | 130 | 18      | 10 | 18 | 22.5 |
| 50-32-125-5 | A802Z   | 0.75 | 2"          | 1 1/4" | 32           | 50 | 82  | 381 | 106 | 112 | 140 | 252 | 165 | 125 | 90  | 140 | 190 | 78  | 100 | 134 | 130 | 18      | 10 | 18 | 21   |
| 50-32-200-1 | A112M2A | 5.5  | 2"          | 1 1/4" | 32           | 50 | 80  | 480 | 106 | 160 | 180 | 340 | 165 | 125 | 140 | 190 | 240 | 78  | 100 | 134 | 157 | 18      | 14 | 18 | 45   |
| 50-32-200-2 | A112M2A | 5.5  | 2"          | 1 1/4" | 32           | 50 | 80  | 480 | 106 | 160 | 180 | 340 | 165 | 125 | 140 | 190 | 240 | 78  | 100 | 134 | 157 | 18      | 14 | 18 | 45   |
| 50-32-200-3 | A802A   | 5.5  | 2"          | 1 1/4" | 32           | 50 | 80  | 480 | 106 | 160 | 180 | 340 | 165 | 125 | 140 | 190 | 240 | 78  | 100 | 134 | 157 | 18      | 14 | 18 | 45   |
| 65-50-125-1 | A90L2B  | 3.5  | 2 1/2"      | 2"     | 50           | 65 | 80  | 418 | 122 | 112 | 140 | 252 | 191 | 145 | 110 | 160 | 210 | 106 | 125 | 165 | 138 | 18      | 14 | 18 | 32.5 |
| 65-50-125-2 | A90L2B  | 3.5  | 2 1/2"      | 2"     | 50           | 65 | 80  | 418 | 122 | 112 | 140 | 252 | 191 | 145 | 110 | 160 | 210 | 106 | 125 | 165 | 138 | 18      | 14 | 18 | 32.5 |
| 65-50-125-3 | A802B   | 1.5  | 2 1/2"      | 2"     | 50           | 65 | 80  | 381 | 122 | 112 | 140 | 252 | 191 | 145 | 110 | 160 | 210 | 106 | 125 | 165 | 130 | 18      | 14 | 18 | 27   |
| 65-50-125-4 | A802B   | 1.5  | 2 1/2"      | 2"     | 50           | 65 | 80  | 381 | 122 | 112 | 140 | 252 | 191 | 145 | 110 | 160 | 210 | 106 | 125 | 165 | 130 | 18      | 14 | 18 | 27   |
| 65-50-160-1 | A112M2A | 5.5  | 2 1/2"      | 2"     | 50           | 65 | 80  | 492 | 122 | 132 | 160 | 292 | 191 | 145 | 140 | 190 | 240 | 106 | 125 | 165 | 157 | 18      | 14 | 18 | 46   |
| 65-50-160-2 | A112M2A | 5.5  | 2 1/2"      | 2"     | 50           | 65 | 80  | 492 | 122 | 132 | 160 | 292 | 191 | 145 | 140 | 190 | 240 | 106 | 125 | 165 | 157 | 18      | 14 | 18 | 46   |
| 65-50-160-3 | A112M2A | 5.5  | 2 1/2"      | 2"     | 50           | 65 | 80  | 492 | 122 | 132 | 160 | 292 | 191 | 145 | 140 | 190 | 240 | 106 | 125 | 165 | 157 | 18      | 14 | 18 | 46   |
| 65-40-200-1 | A112M2B | 7.5  | 2 1/2"      | 1 1/2" | 40           | 65 | 100 | 517 | 122 | 160 | 180 | 340 | 191 | 145 | 165 | 212 | 265 | 88  | 110 | 150 | 157 | 18      | 14 | 18 | 55.5 |
| 65-40-200-2 | A112M2B | 7.5  | 2 1/2"      | 1 1/2" | 40           | 65 | 100 | 517 | 122 | 160 | 180 | 340 | 191 | 145 | 165 | 212 | 265 | 88  | 110 | 150 | 157 | 18      | 14 | 18 | 55.5 |
| 65-40-200-3 | A112M2B | 7.5  | 2 1/2"      | 1 1/2" | 40           | 65 | 100 | 517 | 122 | 160 | 180 | 340 | 191 | 145 | 165 | 212 | 265 | 88  | 110 | 150 | 157 | 18      | 14 | 18 | 55.5 |
| 65-40-200-4 | A112M2B | 7.5  | 2 1/2"      | 1 1/2" | 40           | 65 | 100 | 517 | 122 | 160 | 180 | 340 | 191 | 145 | 165 | 212 | 265 | 88  | 110 | 150 | 157 | 18      | 14 | 18 | 55.5 |



# BOMBAS CENTRIFUGAS TRIFÁSICAS PARA AGUA LIMPIA

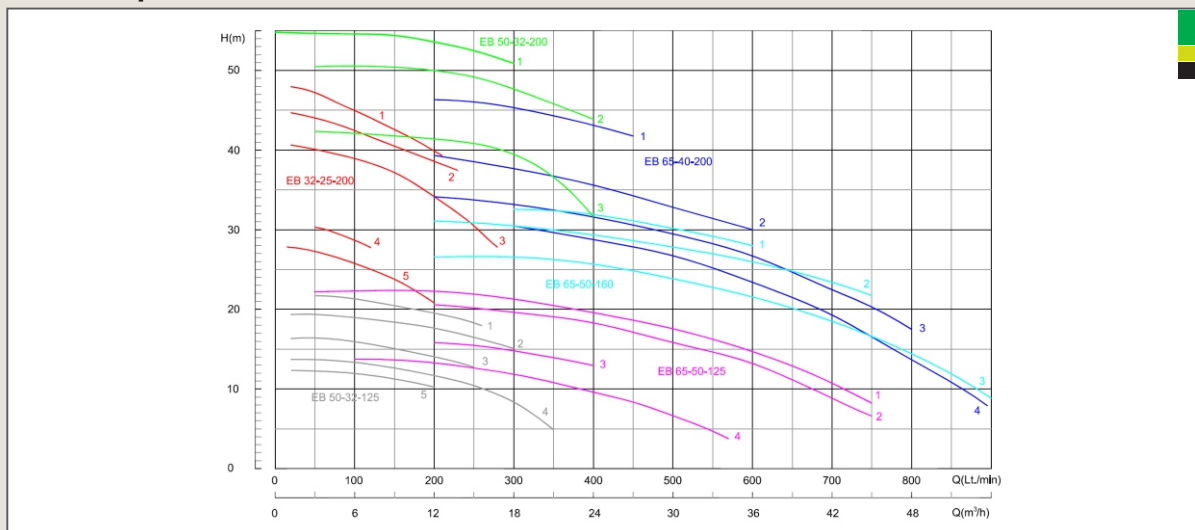
**Tabla de performance hidráulica a 50Hz**  
Alturas expresadas en m.c.a.



| MODELO         | HP   | Lts/min<br>m³/h | Q-Caudal  |         |           |          |          |          |             |           |             |           |             |           |  |
|----------------|------|-----------------|-----------|---------|-----------|----------|----------|----------|-------------|-----------|-------------|-----------|-------------|-----------|--|
|                |      |                 | 20<br>1,2 | 50<br>3 | 80<br>4,8 | 100<br>6 | 120<br>7 | 150<br>9 | 180<br>10,8 | 200<br>12 | 230<br>13,8 | 250<br>15 | 280<br>16,8 | 300<br>18 |  |
| EB-32-25-200-1 | 3,5  | H               | 46,0      | 46,0    | 46,0      | 45,0     | 44,0     | 42,5     | 41,0        | 40,0      |             |           |             |           |  |
| EB-32-25-200-2 | 3,5  |                 | 44,0      | 44,0    | 43,0      | 42,5     | 43,0     | 40,5     | 39,0        | 36,5      | 37,5        |           |             |           |  |
| EB-32-25-200-3 | 3,5  |                 | 40,0      | 40,0    | 39,0      | 39,0     | 37,5     | 37,0     | 35,5        | 34,0      | 32,0        | 30,5      | 27,5        |           |  |
| EB-32-25-200-4 | 1,5  |                 | 30,0      | 30,0    | 29,0      | 28,5     | 28,0     |          |             |           |             |           |             |           |  |
| EB-32-25-200-5 | 1,5  |                 | 27,5      | 27,5    | 26,5      | 25,5     | 25,0     | 23,5     | 22,0        | 21,0      |             |           |             |           |  |
| EB-50-32-125-1 | 1,5  |                 | 22,5      | 22,0    | 21,5      | 21,5     | 21,0     | 20,5     | 20,0        | 19,5      | 18,5        | 18,0      |             |           |  |
| EB-50-32-125-2 | 1,5  |                 | 19,5      | 19,5    | 19,0      | 19,0     | 18,5     | 18,2     | 18,0        | 17,5      | 17,0        | 16,5      | 15,5        | 15,0      |  |
| EB-50-32-125-3 | 1,00 |                 | 16,5      | 16,5    | 16,0      | 16,0     | 15,5     | 15,0     | 14,5        | 14,0      | 13,0        |           |             |           |  |
| EB-50-32-125-4 | 1,00 |                 | 13,5      | 13,5    | 13,0      | 13,0     | 12,6     | 12,5     | 12,0        | 13,0      | 11,5        | 10,5      | 9,0         | 8,0       |  |
| EB-50-32-125-5 | 0,75 |                 | 12,5      | 12,0    | 12,0      | 11,9     | 11,5     | 11,5     | 11,0        | 10,0      |             |           |             |           |  |
| EB-50-32-200-1 | 5,50 |                 |           |         |           | 54,5     | 54,5     | 54,0     | 53,5        | 53,0      | 52,7        | 52,5      | 51,5        | 51,0      |  |
| EB-50-32-200-2 | 5,50 |                 |           |         |           | 50,5     | 50,5     | 50,2     | 50,1        | 50,0      | 49,5        | 49,0      | 48,0        | 47,5      |  |
| EB-50-32-200-2 | 5,50 |                 |           |         |           | 42,5     | 42,3     | 42,0     | 41,8        | 41,5      | 41,2        | 41,0      | 40,0        | 39,5      |  |

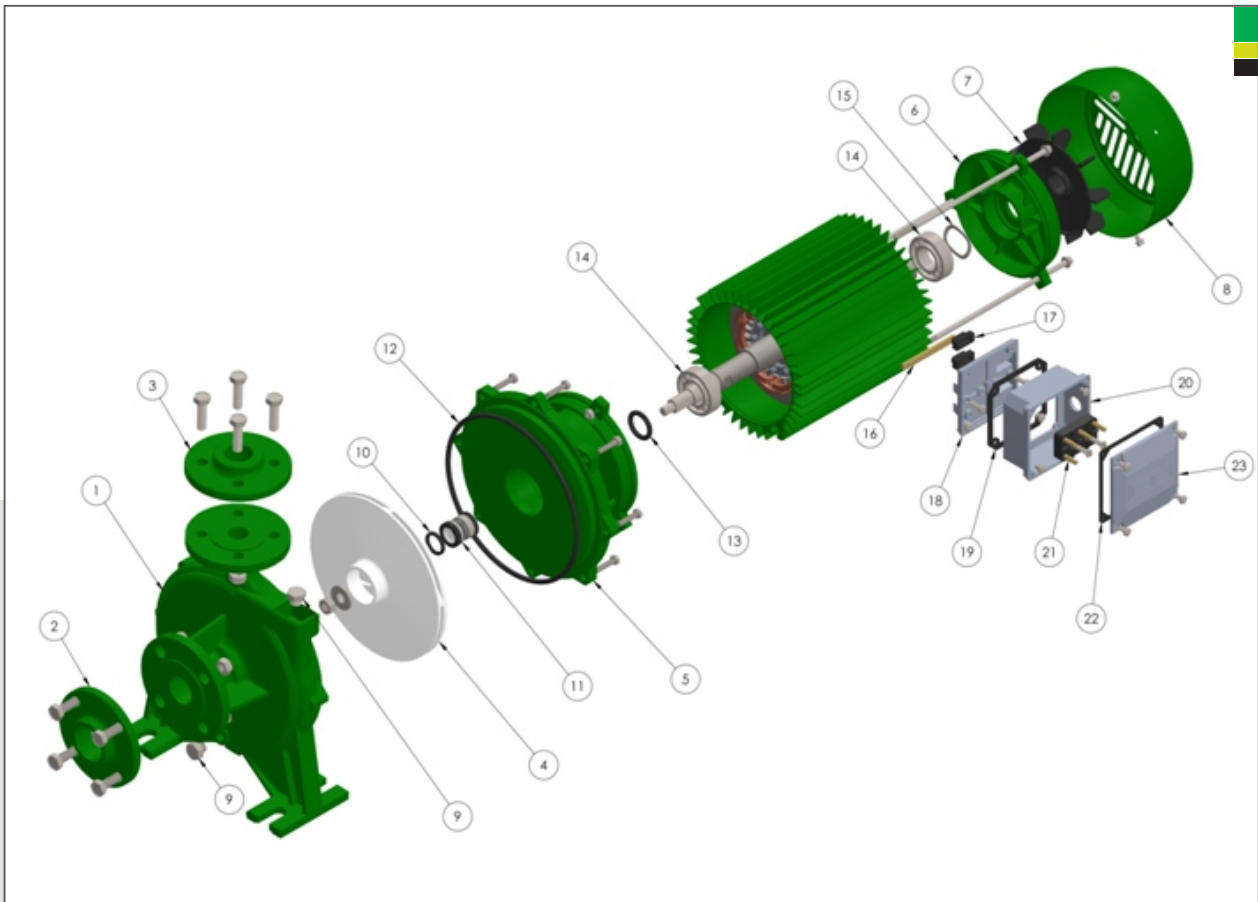
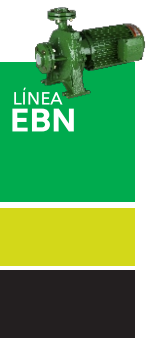
| MODELO         | HP   | Lts/min<br>m³/h | Q-Caudal  |             |           |             |           |           |           |           |           |           |           |  |  |
|----------------|------|-----------------|-----------|-------------|-----------|-------------|-----------|-----------|-----------|-----------|-----------|-----------|-----------|--|--|
|                |      |                 | 200<br>12 | 230<br>13,8 | 250<br>15 | 280<br>16,8 | 300<br>18 | 400<br>24 | 500<br>30 | 600<br>36 | 700<br>42 | 800<br>48 | 900<br>54 |  |  |
| EB-65-50-125-1 | 3,50 | H               | 22,3      | 21,9        | 21,7      | 21,4        | 21,2      | 21,0      | 18,0      | 14,0      | 9,5       |           |           |  |  |
| EB-65-50-125-2 | 3,50 |                 | 20,4      | 20,2        | 20,1      | 19,8        | 19,6      | 17,0      | 14,0      | 10,5      | 6,5       |           |           |  |  |
| EB-65-50-125-3 | 1,50 |                 | 15,6      | 15,4        | 15,2      | 15,0        | 14,9      | 12,8      |           |           |           |           |           |  |  |
| EB-65-50-125-4 | 1,50 |                 | 13,0      | 12,8        | 12,5      | 12,2        | 11,8      | 9,7       | 6,5       |           |           |           |           |  |  |
| EB-65-50-160-1 | 5,50 |                 | 32,5      | 32,5        | 32,5      | 32,5        | 32,5      | 32,0      | 32,1      | 28,0      |           |           |           |  |  |
| EB-65-50-160-2 | 5,50 |                 | 31,1      | 31,1        | 31,0      | 30,6        | 30,4      | 29,5      | 27,6      | 26,0      | 23,0      |           |           |  |  |
| EB-65-50-160-3 | 5,50 |                 | 26,5      | 26,5        | 26,5      | 26,5        | 26,4      | 25,5      | 23,5      | 21,5      | 18,5      | 14,5      | 8,5       |  |  |
| EB-65-40-200-1 | 7,50 |                 | 46,5      | 46,2        | 46,0      | 45,3        | 45,1      | 43,0      |           |           |           |           |           |  |  |
| EB-65-40-200-2 | 7,50 |                 | 39,2      | 38,5        | 38,0      | 37,8        | 37,5      | 37,5      | 32,7      | 30,0      |           |           |           |  |  |
| EB-65-40-200-3 | 7,50 |                 | 35,0      | 35,0        | 35,0      | 35,0        | 35,0      | 34,0      | 32,0      | 29,5      | 26,0      | 22,0      |           |  |  |
| EB-65-40-200-4 | 7,50 |                 | 30,4      | 30,4        | 30,4      | 30,4        | 30,4      | 28,5      | 27,0      | 23,2      | 19,2      | 13,5      | 7,5       |  |  |

**Curva de performance hidráulica a 50 Hz**



# BOMBAS CENTRIFUGAS TRIFÁSICAS PARA AGUA LIMPIA

## Componentes y repuestos



### Designación de componentes

| Nº | DESCRIPCIÓN                 | Nº | DESCRIPCIÓN                |
|----|-----------------------------|----|----------------------------|
| 1  | Cuerpo de bomba             | 13 | Anillo goma contra goteo   |
| 2  | Contrabrida aspiración      | 14 | Rodamientos                |
| 3  | Contrabrida impulsión       | 15 | Arandela elástica          |
| 4  | Disco impulsor              | 16 | Sujetador caja de conexión |
| 5  | Escudo brida                | 17 | Goma pasacable             |
| 6  | Escudo trasero              | 18 | Adaptador caja conexión    |
| 7  | Ventilador                  | 19 | Guarnición caja-adaptador  |
| 8  | Capuchón ventilador         | 20 | Caja de conexión           |
| 9  | Tapón de bronce             | 21 | Bornera 6 bornes           |
| 10 | Distanciador sello mecánico | 22 | Guarnición caja conexión   |
| 11 | Sello mecánico              | 23 | Tapa caja conexión         |
| 12 | O-Ring cuerpo de bomba      |    |                            |

Tel/Fax: **+54 3404 - 480715** / Av. Jorge Newbery 372 (S2252 BMQ)  
 Gálvez, S.F. Argentina / [ventas@motoresczerweny.com.ar](mailto:ventas@motoresczerweny.com.ar)  
[www.motoresczerweny.com.ar](http://www.motoresczerweny.com.ar)

